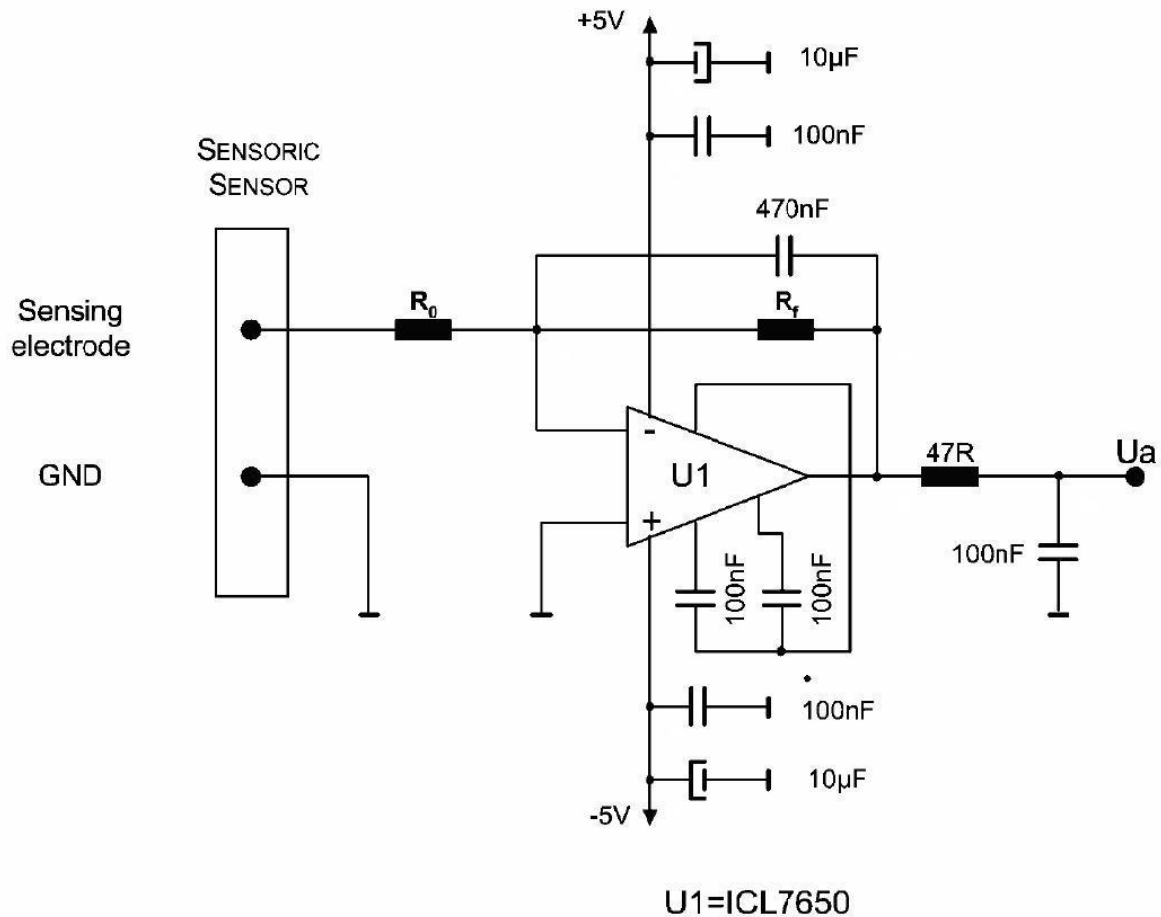


# Circuit Diagram Recommendation for 2 electrode sensors



## Recommended Operational Amplifiers for Electronic Circuits:

The following list summarizes several operational amplifiers which are recommended to be used in electronic circuits of gas detection instruments. The list is not intended to give a complete overview, but only a guidance.

Type	Manufacturer
LM C6462 A	National Semiconductor
MAX 407	Maxim
ICL 7650 S	Harries
TLC 277	Texas Instruments