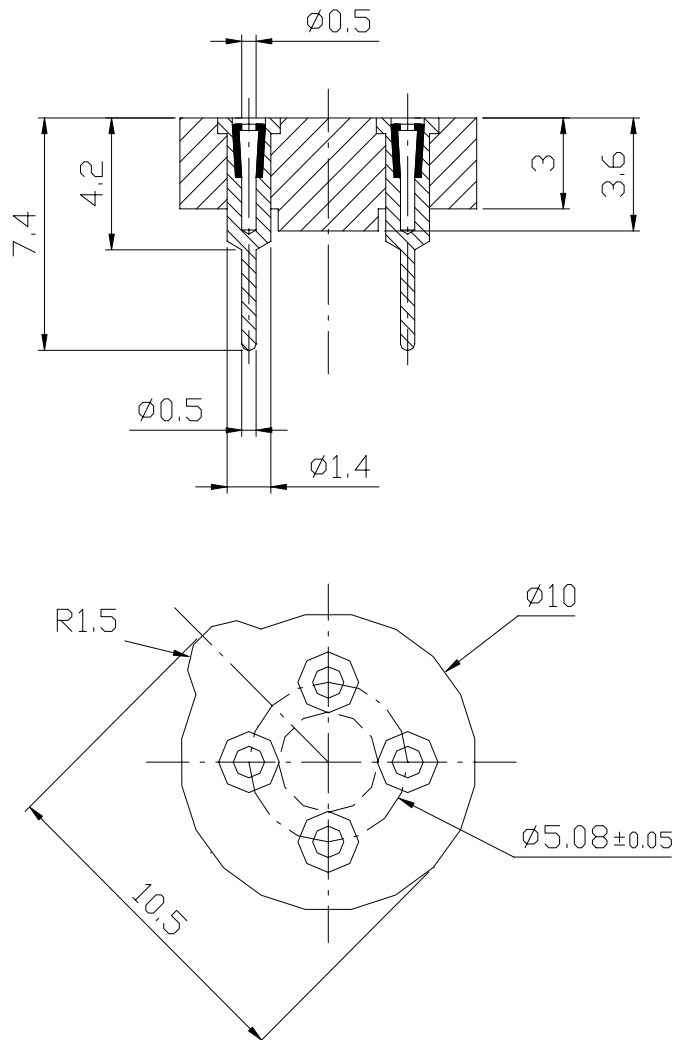


# Mechanical Dimensions – 4 pin socket



Tolerance:  $\pm 0.15$

All dimensions in mm

**Material:** ABS plastics or PPO; gold plated pins

**Note:**

Please note, that this socket will be required to integrate Sensoric Mini sensors into instrument design. Part number and further technical details are available at our website.