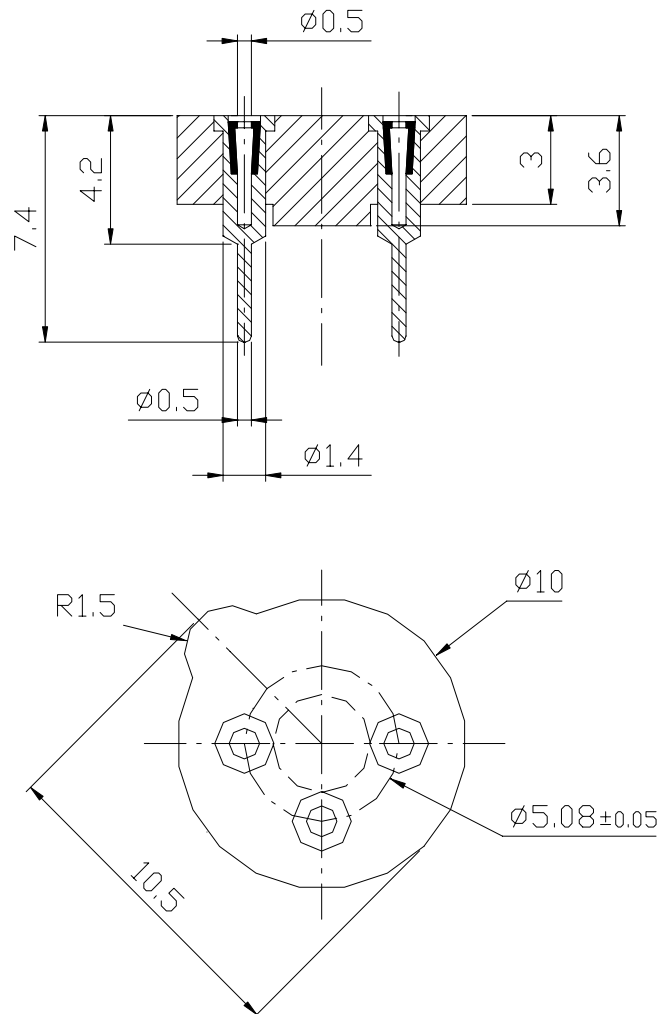


Mechanical Dimensions – 3 pin socket



Tolerance: ± 0.15

All dimensions in mm

Material: ABS plastics or PPO; gold plated pins

Note:

Please note, that this socket will be required to integrate Sensoric Mini sensors into instrument design. Part number and further technical details are available at our website.