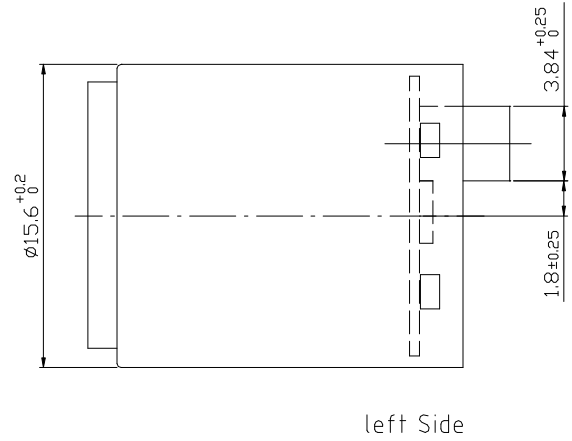
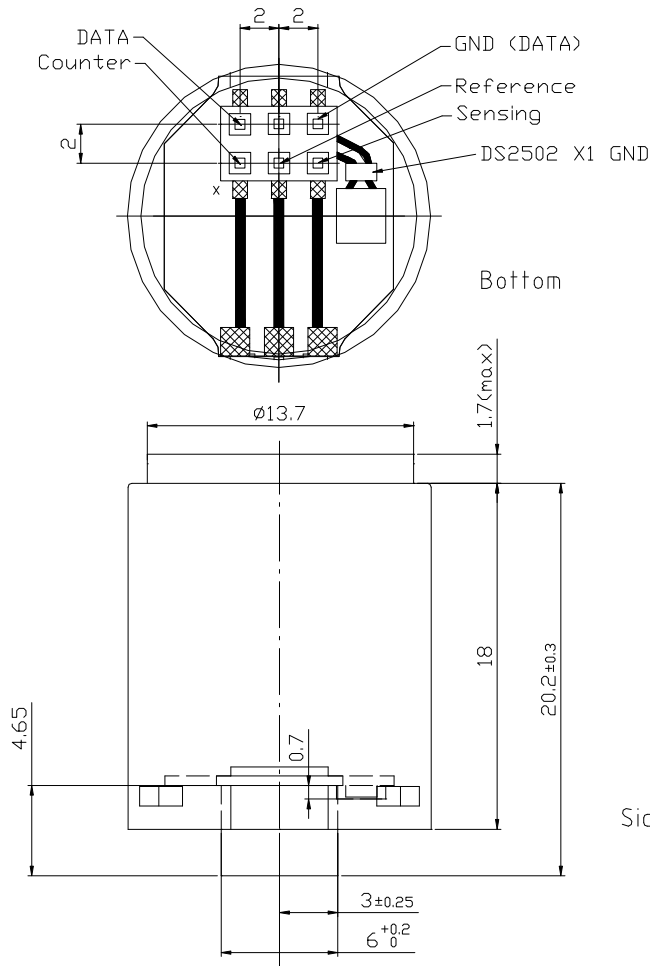


# Mechanical Dimensions – Smart Midi (6 pin socket)



x shorting between sensing and reference

socket ledge: |Buchsenleiste| TLE-103-01-G-DV-K Fa. Samtec  
for example:  
pin ledge: |Stiffliste| MTMM-103-03-G-D-154 Fa. Samtec

Tolerance:  $\pm 0.15$

All dimensions in mm

**Material:** ABS plastics or PPO; gold plated pins

**Note:**

Please note, that the reference electrode is not in use at all 2-electrode SensoriC sensor versions. Part number and further technical details are available at our website.