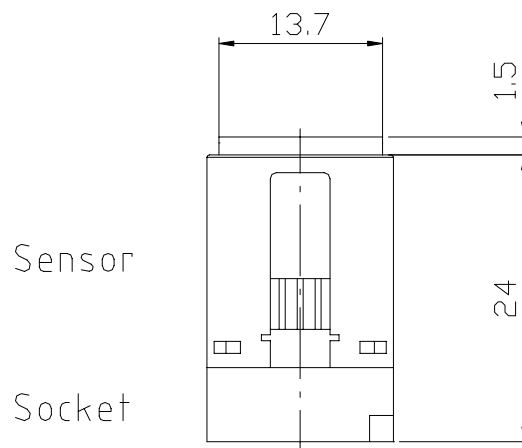
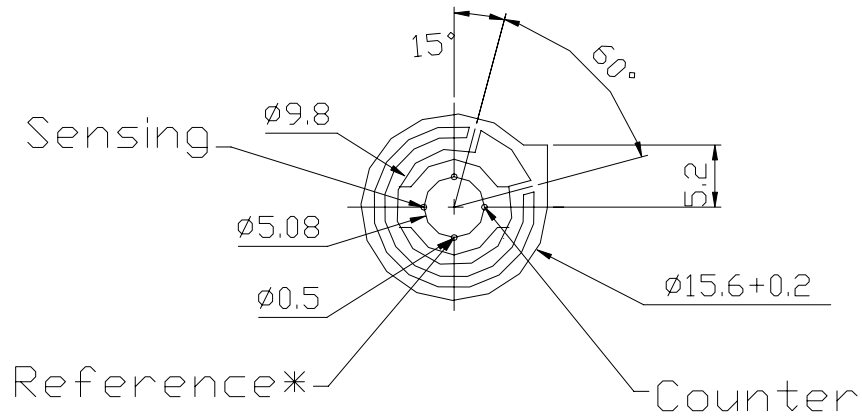


Mechanical Dimensions – Sensoric Classic



Tolerance: ± 0.15

All dimensions in mm

Material: ABS plastics or PPO; gold plated pins

*** Note:**

Please note, that the reference electrode is not in use at all 2-electrode Sensoric sensor versions. Part number and further technical details are available at our website.