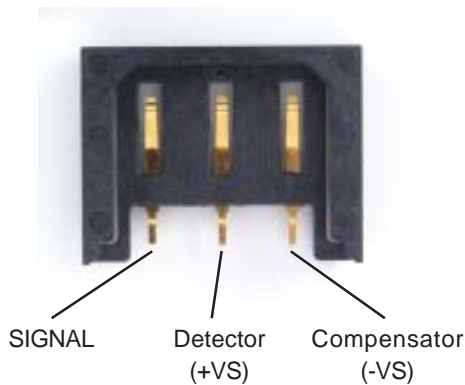


### Connector Materials

<b>Body Material</b>	LCP Vectra RD1040
<b>Contact Material</b>	Copper alloy
<b>Finish</b>	Au plated over Ni undercoat

### Connector Performance

<b>Contact Resistance</b>	< 20mΩ
<b>Connector Lifetime</b>	50 insertions

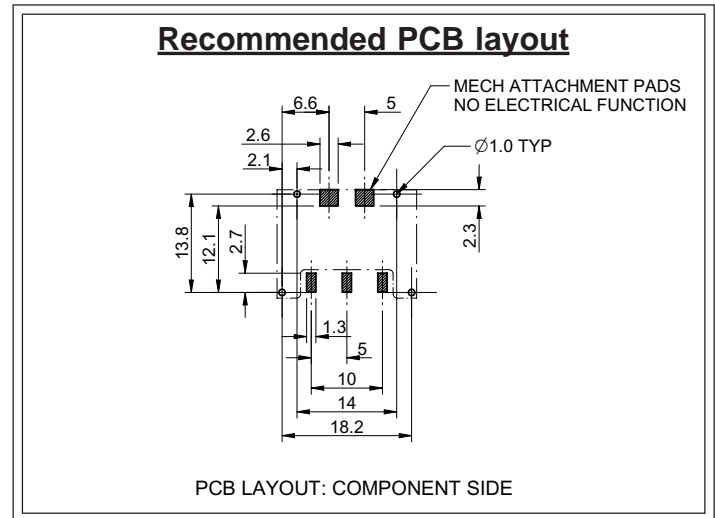


### Connector Attachment

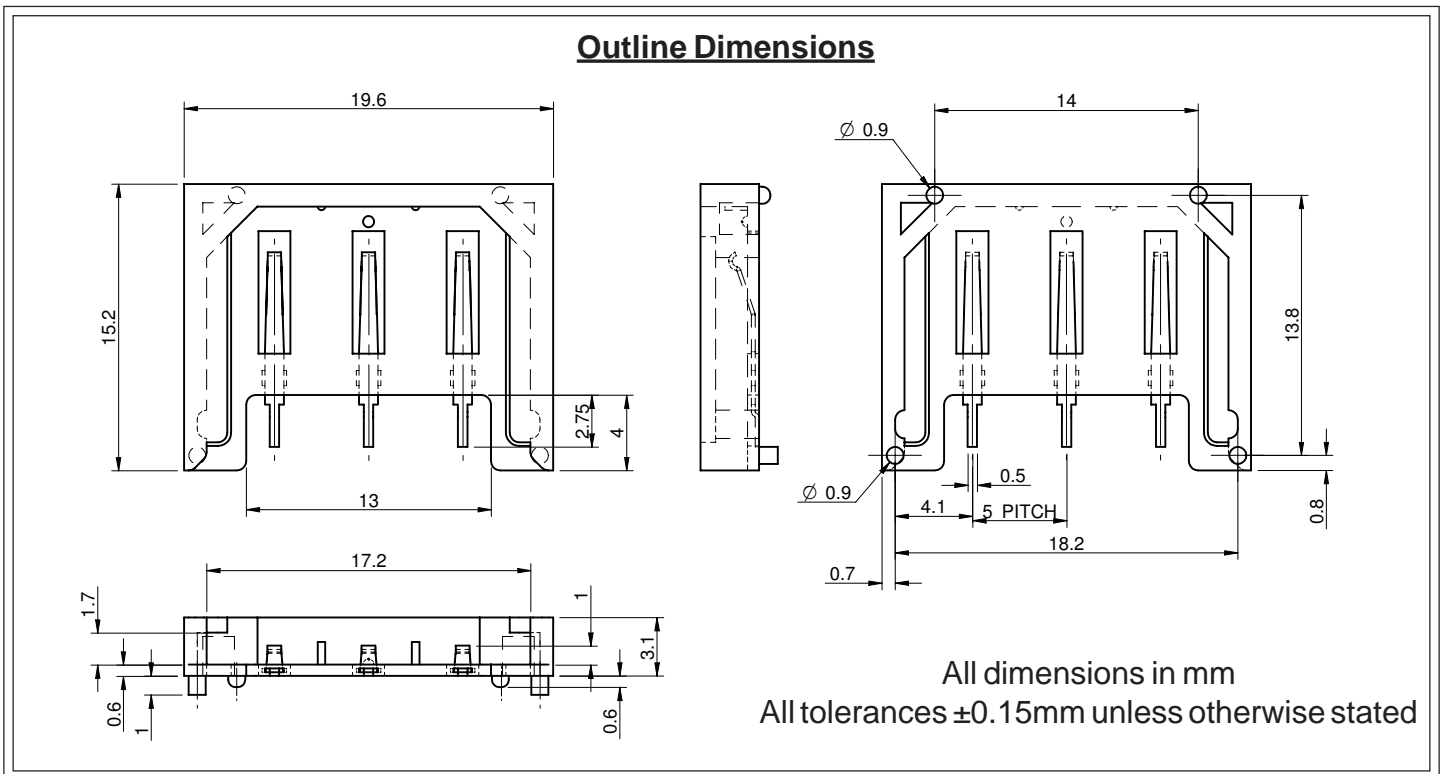
Note: Adhesive bond connector to PCB prior to soldering contacts. Avoid application of adhesive in contact and guide rail areas.

<b>Recommended Adhesive</b>	3M Scotchweld DP100
<b>Reflow solder</b>	
<b>Maximum temperature</b>	230°C
<b>Maximum time</b>	5 seconds

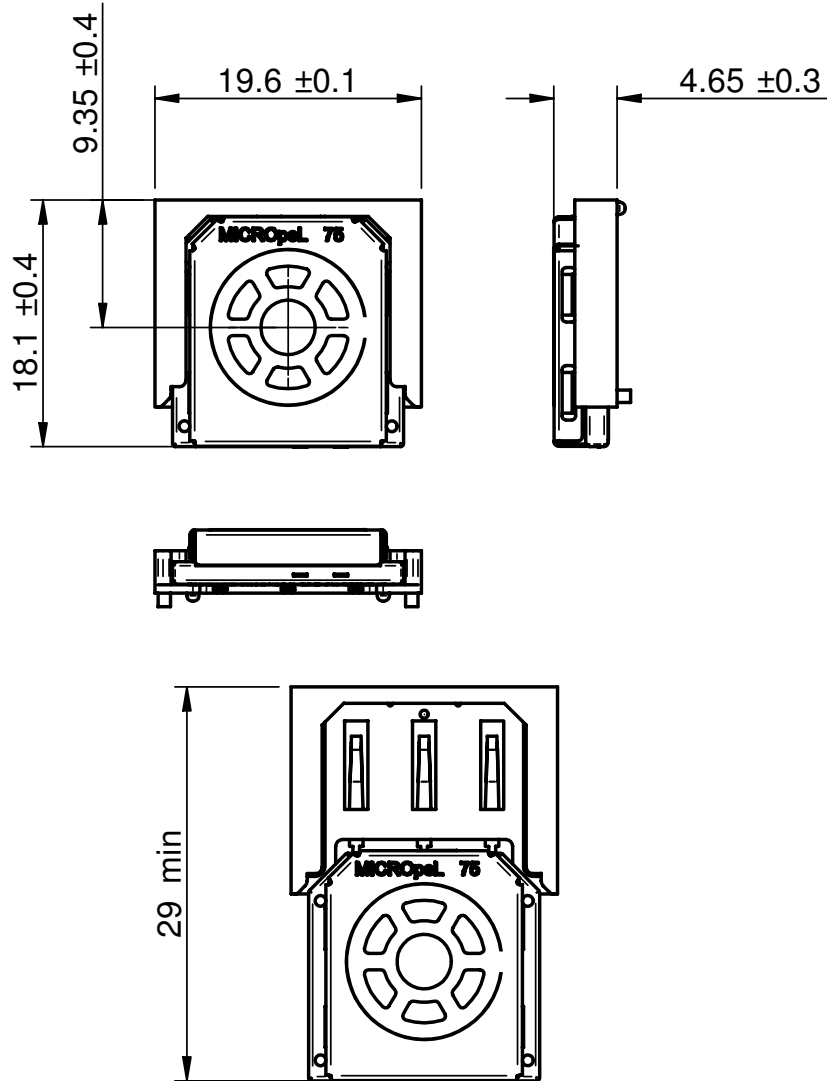
### Recommended PCB layout



### Outline Dimensions



## MICROpeL™ Connector and sensor Outline Dimensions



Unmated

All dimensions in mm

All tolerances ±0.15mm unless otherwise stated

Every effort has been made to ensure the accuracy of this document at the time of printing. In accordance with the company's policy of continued product improvement City Technology Limited reserves the right to make product changes without notice. No liability is accepted for any consequential losses, injury or damage resulting from the use of this document or from any omissions or errors herein. The data is given for guidance only. It does not constitute a specification or an offer for sale. The products are always subject to a programme of improvement and testing which may result in some changes in the characteristics quoted. As the products may be used by the client in circumstances beyond the knowledge and control of City Technology Limited, we cannot give any warranty as to the relevance of these particulars to an application. It is the clients' responsibility to carry out the necessary tests to determine the usefulness of the products and to ensure their safety of operation in a particular application. Performance characteristics on this data sheet outline the performance of newly supplied sensors. Output signal can drift below the lower limit over time.