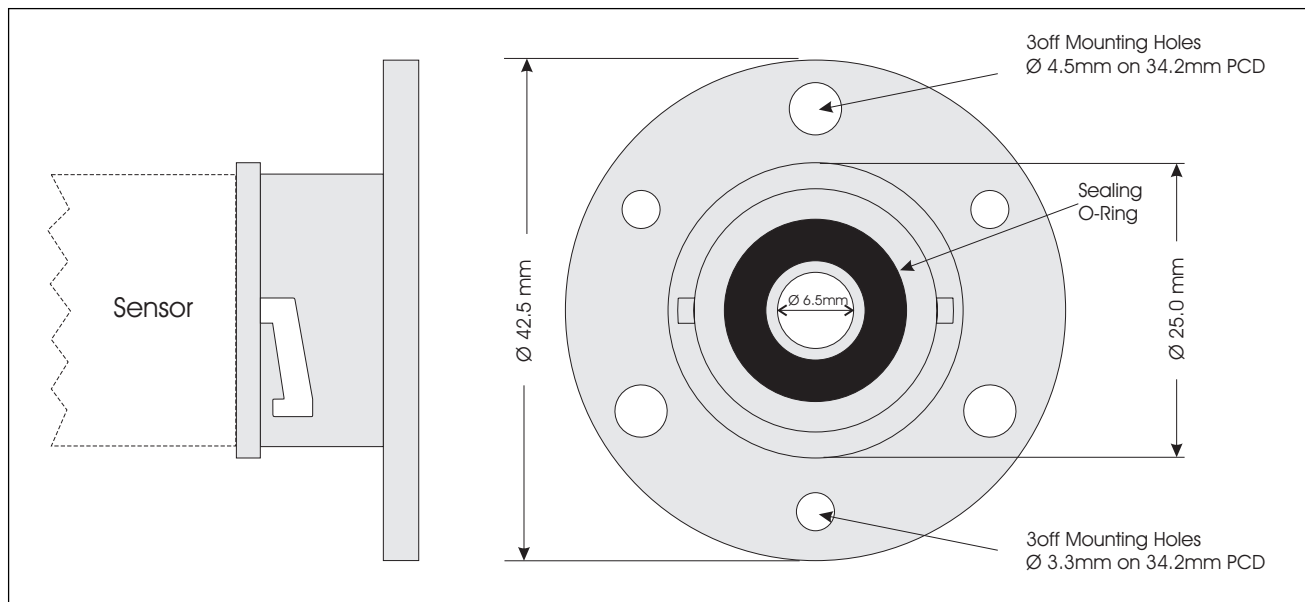




## Application Note 13 **Bayonet Connections**

### **2FO Oxygen CiTiceL Bayonet Connection**

Although the **2FO Oxygen CiTiceL** may be used as a drop-in replacement for traditional metal can sensors, the sensor also features a bayonet mounting system, enabling solid mounting and a gas tight interface in any sample drawing instrument. Bayonet mounting is made possible by the bayonet block mounting accessory, details of which are shown below.

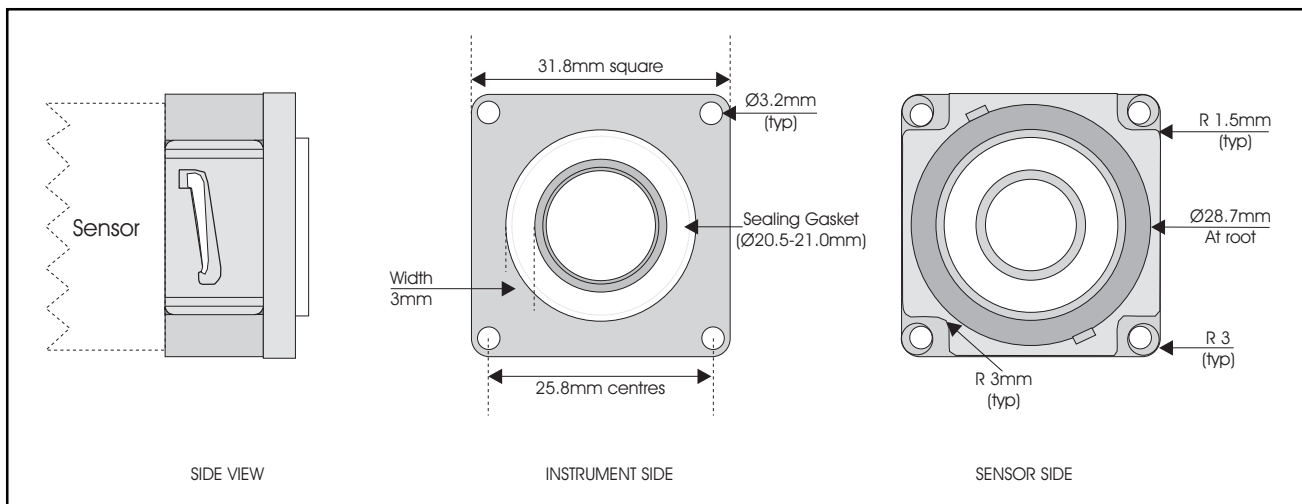


#### **Order Code**

Bayonet Block..... B001

## 5FO Oxygen CiTiceL Bayonet Connection

The 5FO CiTiceL also features a bayonet mounting system, enabling solid mounting and a gas tight interface in any sample drawing instrument. Bayonet mounting is made possible by the bayonet block mounting accessory, details of which are shown below.



### Order Code

Bayonet Block..... B505