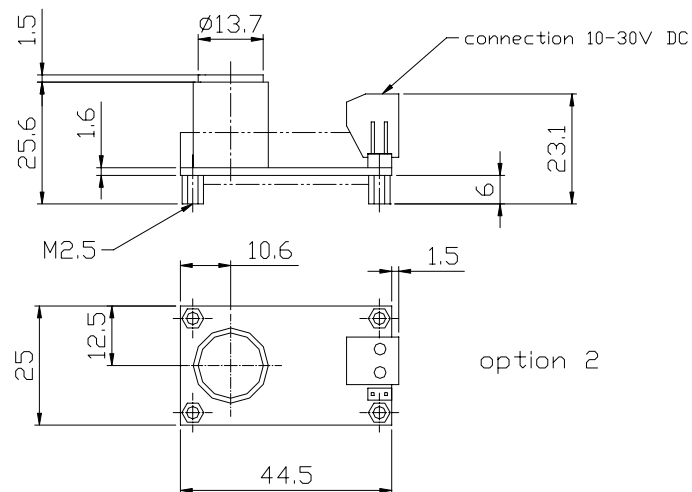
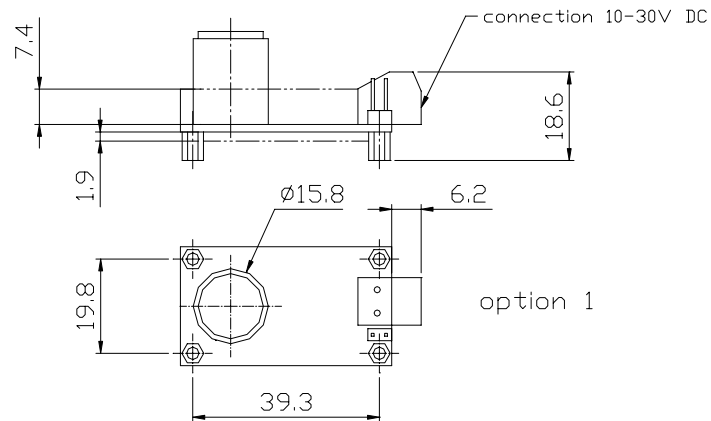


# Mechanical Dimensions

## 4-20 mA transmitter board – with Midi sensor



Tolerance:  $\pm 0.2$

All dimensions in mm

Note: Part number information and further technical details are available at our website.