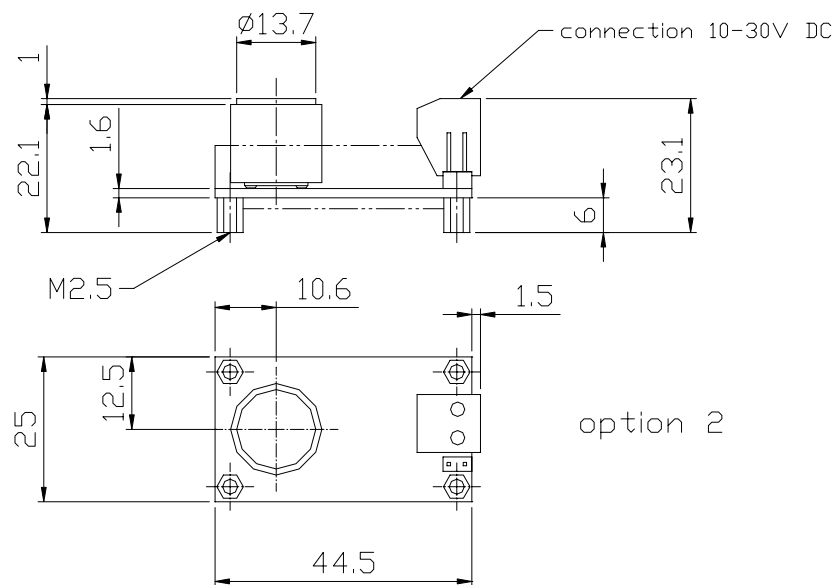
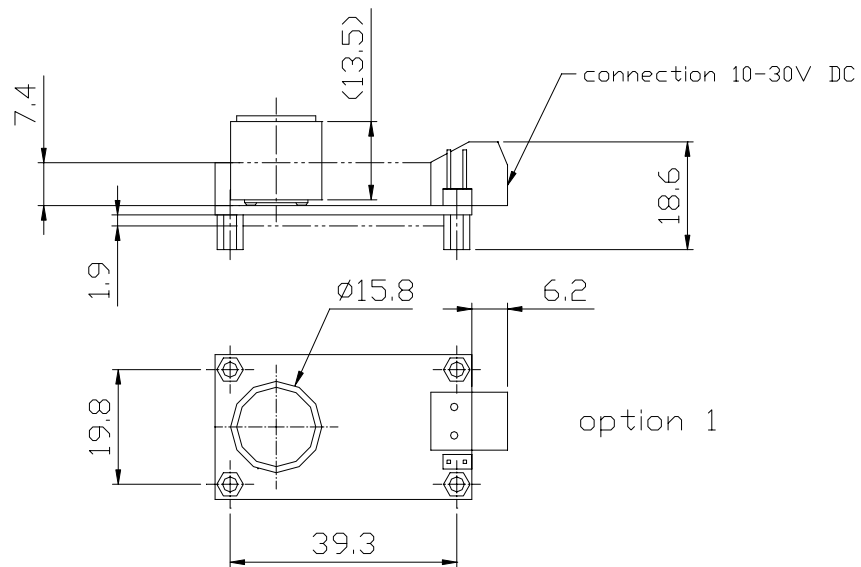


Mechanical Dimensions

4-20 mA transmitter board – with MINI sensor



Tolerance: ± 0.2

All dimensions in mm

Note: Part number information and further technical details are available at our website.