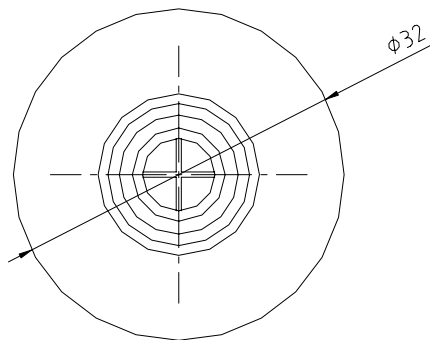
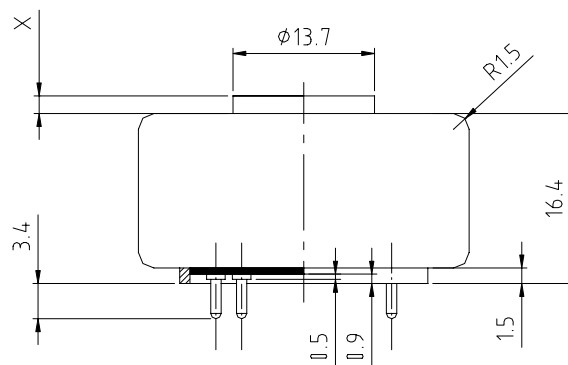
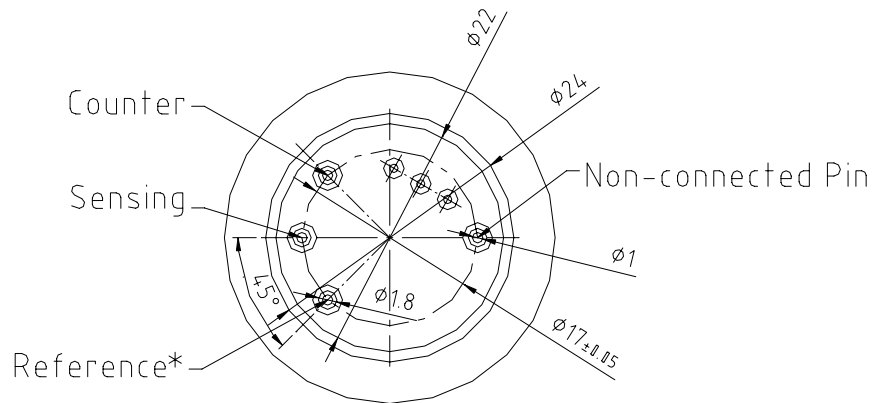


# Mechanical Dimensions – CTL7 Classic adaptation



Tolerance:  $\pm 0.15$

All dimensions in mm

**Material:** ABS plastics or PPO; gold plated pins

**\* Note:**

Please note, that the reference electrode is not in use at all 2-electrode Sensoric sensor versions. Part number and further technical details are available at our website.